

2.5W/CH Stereo Filterless Class-D Audio Amplifier with 64-Step DC Volume Control

DESCRIPTION

The EUA2073 is a high efficiency, 2 channel bridged-tied load (BTL), class-D audio power amplifier. Operating from a 5V power supply, EUA2073 is capable of delivering 2.5W/channel of continuous output power to a 4Ω load with 10% THD+N. The EUA2073 features an advanced 64-step DC volume control which offers a range of speaker gain from -70dB to 24dB. The new filter-less architecture allows the device to drive the speaker directly, without low-pass output filters, which will save system cost and PCB area.

The EUA2073 also features short-circuit and thermal protection preventing the device from being damaged during a fault condition. The EUA2073 is available in 16-pin SOP packages.

FEATURES

- Wide Supply Voltage: 2.7V to 5.5V
- Unique Modulation Scheme Reduces EMI Emission
- 2.5W/ch into an 4Ω Load From 5V Supply
- 64-Step DC Volume Control
- Thermal and Short-Circuit Protection
- Integrated Click and Pop Suppression
- Available in SOP-16 Packages
- RoHS Compliant and 100% Lead(Pb)-Free Halogen-Free

APPLICATIONS

- LCD Monitors/TVs
- All-in-One PCs
- Portable Audio
- Notebook PC

Typical Application Circuit

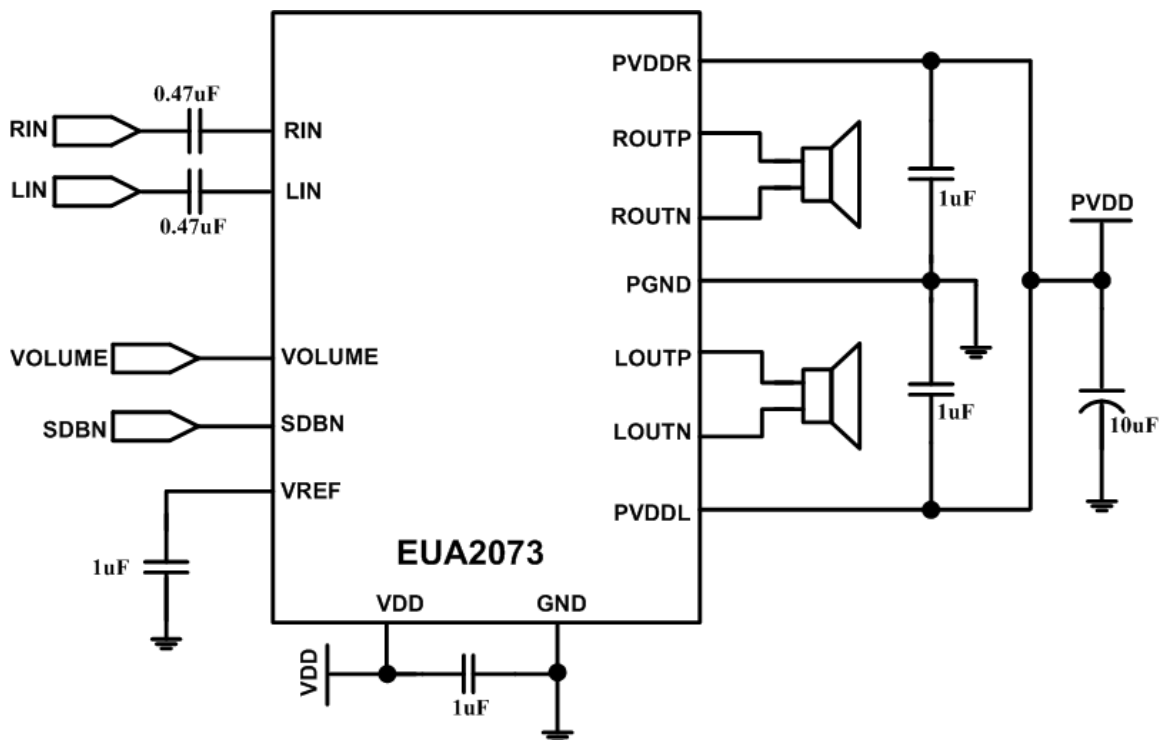


Figure1.